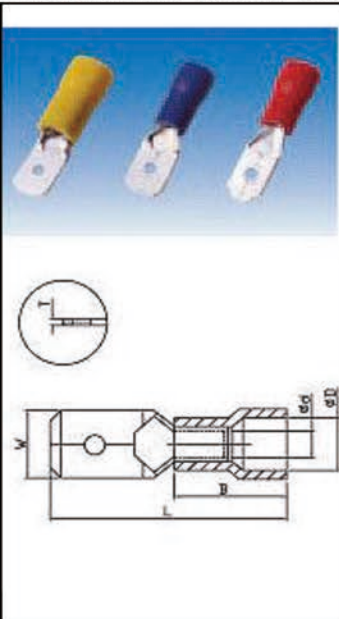


INSULATED MALE CONNECTORS 插鞘公端子



PART NO	ITEM NO	DIMENSIONS					
		W	L	t	Φd	ΦD	B
LY0022-0001	RM110-5	2.8	18.5	0.5	1.8	3.6	10.0
LY0022-0002	RM110-8	2.8	18.5	0.8	1.8	3.6	10.0
LY0022-0003	RM187-5	4.5	19.0	0.5	1.8	3.6	10.0
LY0022-0004	RM187-8	4.5	19.0	0.8	1.8	3.6	10.0
LY0022-0005	RM250	6.3	21.1	0.8	1.8	3.8	10.0
LY0022-0006	BM110-5	2.8	18.5	0.5	2.4	4.2	10.0
LY0022-0007	BM110-8	2.8	18.5	0.8	2.4	4.2	10.0
LY0022-0008	BM187-5	4.5	19.0	0.5	2.4	4.2	10.0
LY0022-0009	BM187-8	4.5	19.0	0.8	2.4	4.2	10.0
LY0022-0010	BM250	6.3	21.1	0.8	2.3	4.2	10.0
LY0022-0011	YM110-5	2.8	22.0	0.5	3.8	5.4	13.0
LY0022-0012	YM110-8	2.8	22.0	0.8	3.5	5.4	13.0
LY0022-0013	YM187-5	4.5	22.0	0.5	3.5	5.4	13.0
LY0022-0014	YM187-8	4.5	22.0	0.8	3.5	5.4	13.0
LY0022-0015	YM250	6.3	24.0	0.8	3.5	5.4	13.0